

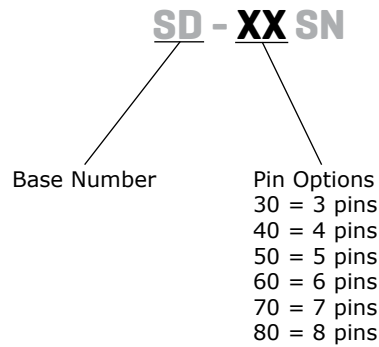
**SERIES:** SD-XXSN | **DESCRIPTION:** STANDARD DIN CONNECTOR

**FEATURES**

- panel mount
- vertical
- shielded



**PART NUMBER KEY**



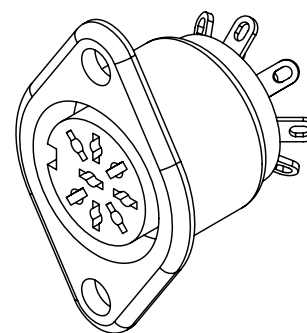
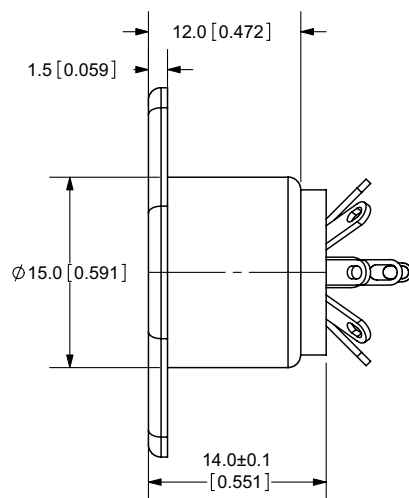
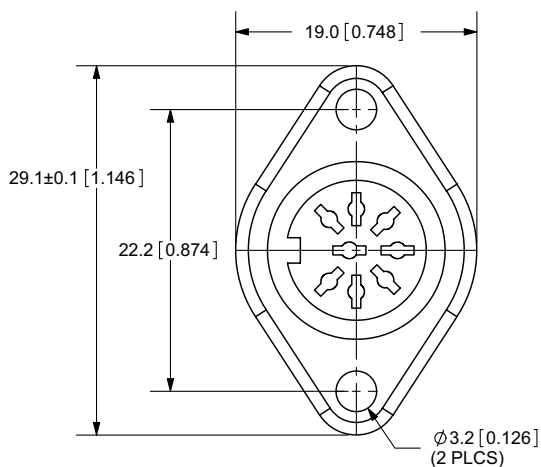
**SPECIFICATIONS**

parameter	conditions/description	min	typ	max	units
rated input voltage			100 12		Vac Vdc
rated input current	at 100 Vac at 12 Vdc			1 2	A A
contact resistance				30	mΩ
insulation resistance	at 500 Vdc	100			MΩ
voltage withstand	for 1 minute			1,000	Vac
insertion force	SD-40SN all other models			6.5 4	kg kg
withdrawal force	SD-40SN all other models	1 1		5 3.5	kg kg
operating temperature		5		70	°C
life			5,000		cycles
flammability rating	UL94V-0				
RoHS	2011/65/EU				

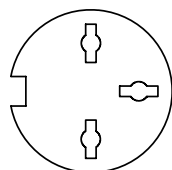
## MECHANICAL DRAWINGS

units: mm[inches]  
tolerance:  $\pm 0.2$ mm

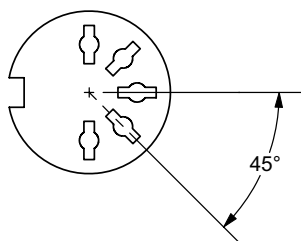
	MATERIAL	PLATING
earth terminal	phosphor bronze	tin
contact pins (SD-40SN)	brass	tin
contact pins (all other models)	brass	silver
socket case	cold rolled steel	nickel
insulator	PBT	



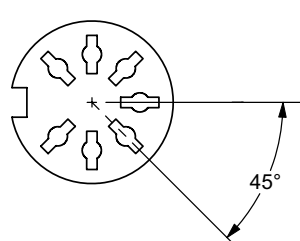
**SD-30SN**



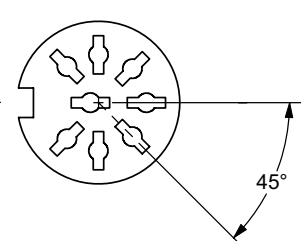
**SD-50SN**



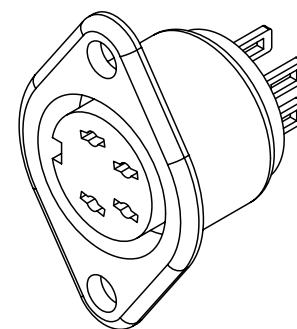
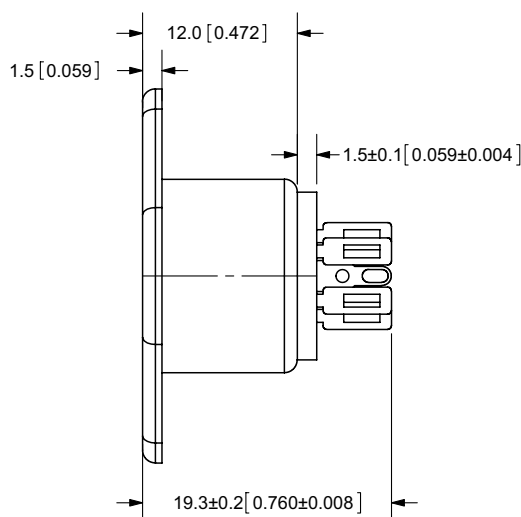
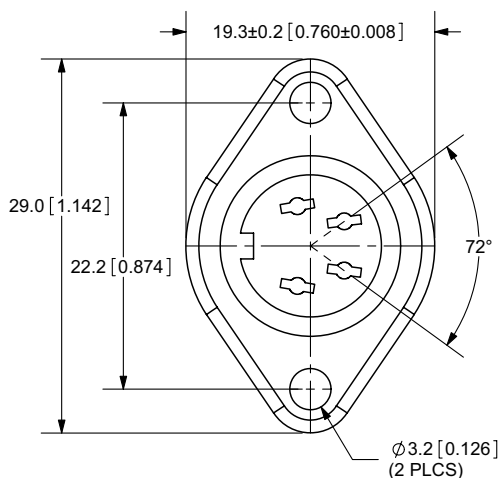
**SD-70SN**



**SD-80SN**



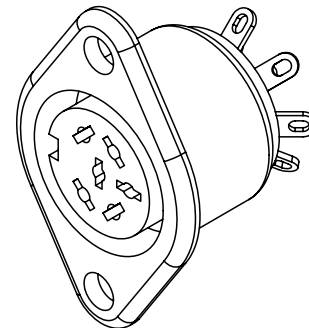
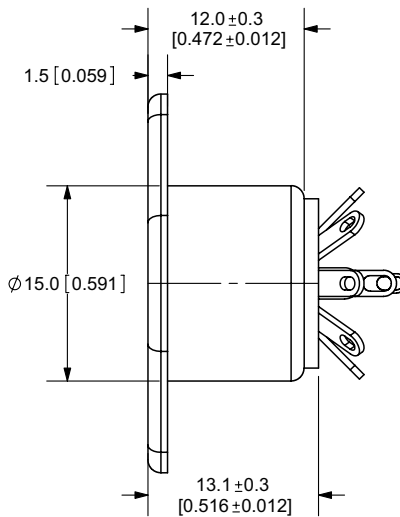
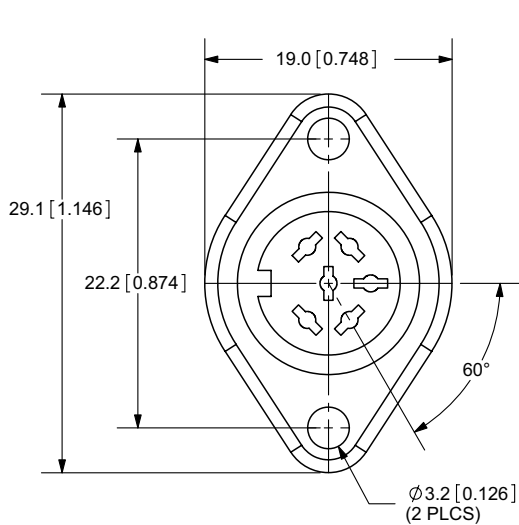
**SD-40SN**



## MECHANICAL DRAWINGS (CONTINUED)

units: mm[inches]  
tolerance:  $\pm 0.2$ mm

### SD-60SN



## REVISION HISTORY

rev.	description	date
1.0	initial release	02/23/2006
1.01	new template applied	02/10/2012
1.02	housing dimensions of SD-40SN changed	05/21/2014
1.03	housing dimensions of SD-60SN changed	09/01/2015

The revision history provided is for informational purposes only and is believed to be accurate.



**Headquarters**  
20050 SW 112th Ave.  
Tualatin, OR 97062  
**800.275.4899**

Fax 503.612.2383  
**cui.com**  
techsupport@cui.com

CUI offers a one (1) year limited warranty. Complete warranty information is listed on our website.

CUI reserves the right to make changes to the product at any time without notice. Information provided by CUI is believed to be accurate and reliable. However, no responsibility is assumed by CUI for its use, nor for any infringements of patents or other rights of third parties which may result from its use.

CUI products are not authorized or warranted for use as critical components in equipment that requires an extremely high level of reliability. A critical component is any component of a life support device or system whose failure to perform can be reasonably expected to cause the failure of the life support device or system, or to affect its safety or effectiveness.